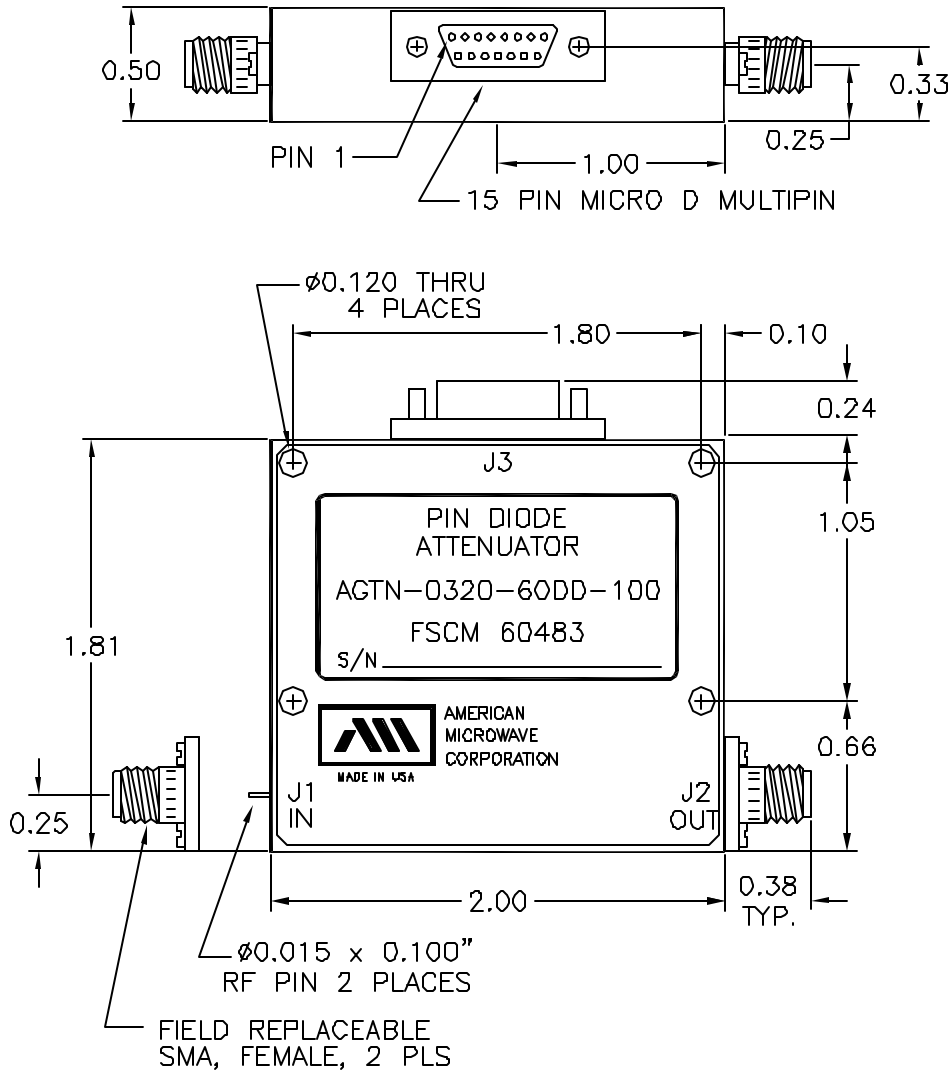




## DESCRIPTION

AMC MODEL AGTN-0320-60DD-100 IS A DIGITALLY CONTROLLED VARIABLE ATTENUATOR DESIGNED TO OPERATE BETWEEN THE 0.1 TO 20 GHz FREQUENCY RANGE, 0.3 TO 20 GHz OPTIMIZED.



ALL DIMENSIONS ARE IN INCHES  
TOLERANCES:  
X.XX ±0.020  
X.XXX ±0.010

REVISIONS				
ZONE	REV.	DESCRIPTION	DATE	APPROVED
	-	ORIGINAL RELEASE JOB# 508201XN-3	8/20/05	

## MECHANICAL OUTLINE

8 BIT TRUE BINARY LOGIC J3 PIN FUNCTIONS	
PIN NO.	FUNCTIONS.
1	GND
2	N/C *
3	N/C *
4	GND
5	0.25 dB (LSB)
6	0.5 dB
7	1.0 dB
8	2.0 dB
9	4.0 dB
10	8.0 dB
11	16.0 dB
12	32.0 dB
13	+V
14	-V
15	N/C *

\* N/C = NO CONNECTION

## AMERICAN MICROWAVE CORPORATION

7311-G GROVE ROAD  
FREDERICK, MARYLAND 21704 USA  
TEL: 301-662-4700 FAX: 301-662-4938  
WEBSITE: [www.americanmicrowavecorp.com](http://www.americanmicrowavecorp.com)  
E-MAIL: [sales@americanmicrowavecorp.com](mailto:sales@americanmicrowavecorp.com)  
ISO 9001:2000 CERTIFIED



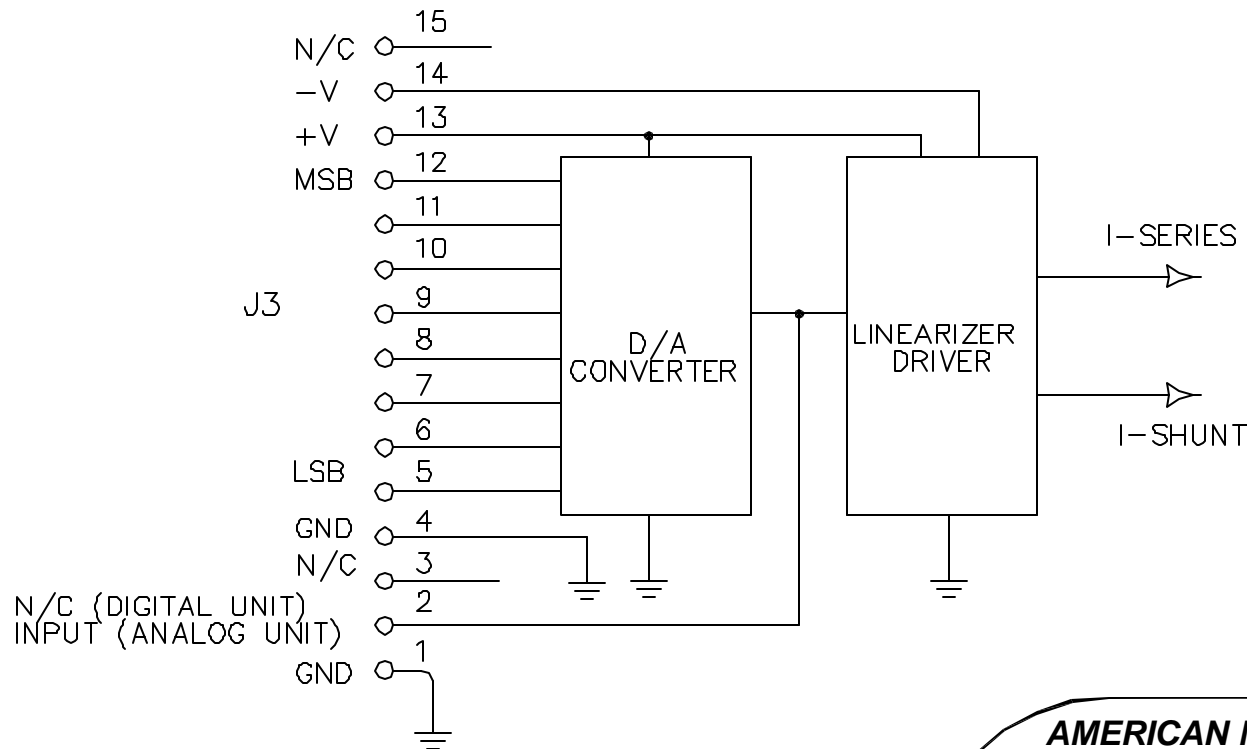
APPROVALS		DATE	TITLE		
DRAWN	<i>FDS</i>	8/20/05	MECHANICAL OUTLINE AGTN-0320-60DD-100		
CHECKED			0.1-20 GHz, DIGITALLY CONTROLLED VARIABLE ATTENUATOR 0.3-20 GHz OPTIMIZED FREQUENCY RANGE		
ISSUED			SIZE	FSCM NO.	DWG NO.
			A	60483	100-7495
			SCALE	N:S	SHEET 2 OF 4

## DESCRIPTION

AMC MODEL AGTN-0320-60DD-100 IS A DIGITALLY CONTROLLED VARIABLE ATTENUATOR DESIGNED TO OPERATE BETWEEN THE 0.1 TO 20 GHz FREQUENCY RANGE, 0.3 TO 20 GHz OPTIMIZED.

REVISIONS				
ZONE	REV.	DESCRIPTION	DATE	APPROVED
	-	ORIGINAL RELEASE JOB# 508201XN-3	8/20/05	

## FUNCTIONAL BLOCK DIAGRAM



## AMERICAN MICROWAVE CORPORATION

7311-G GROVE ROAD  
 FREDERICK, MARYLAND 21704 USA  
 TEL: 301-662-4700 FAX: 301-662-4938  
 WEBSITE: [www.americanmicrowavecorp.com](http://www.americanmicrowavecorp.com)  
 E-MAIL: [sales@americanmicrowavecorp.com](mailto:sales@americanmicrowavecorp.com)  
 ISO 9001:2000 CERTIFIED



APPROVALS		DATE	TITLE		
DRAWN	<i>FDJ</i>	8/20/05	FUNCTIONAL BLOCK DIAGRAM AGTN-0320-60DD-100		
CHECKED			0.1-20 GHz, DIGITALLY CONTROLLED VARIABLE ATTENUATOR 0.3-20 GHz OPTIMIZED FREQUENCY RANGE		
ISSUED			SIZE	FSCHM NO.	DWG NO.
			A	60483	100-7495
			SCALE	N:S	SHEET 3 OF 4
					REV. -